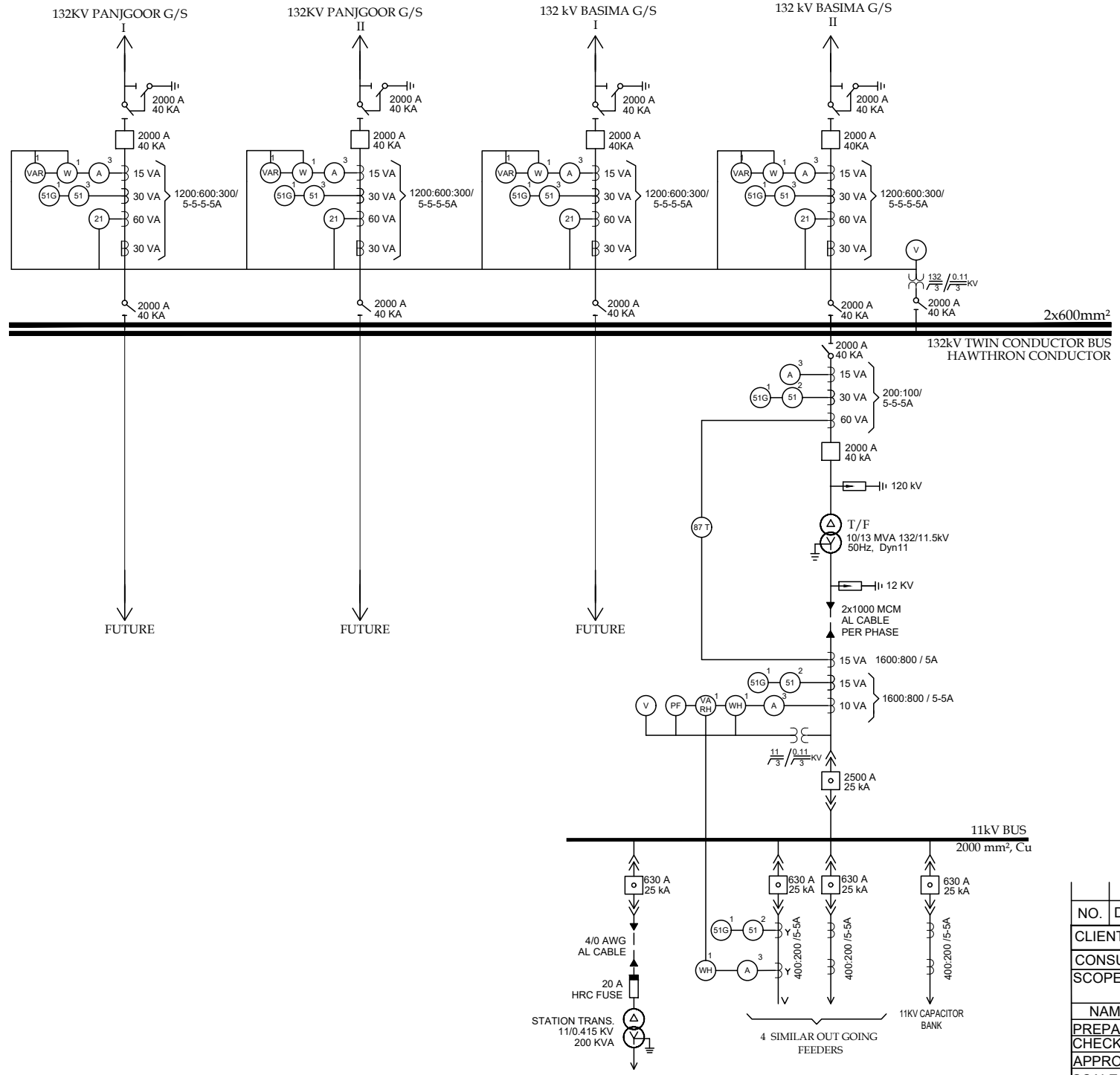


LOT # 2 (A) NAG NEW



LEGEND :-

- ISOLATOR
- EARTHING SWITCH
- POWER CIRCUIT BREAKER
- DRAW OUT TYPE CIRCUIT BREAKER
- CURRENT TRANSFORMER
- POTENTIAL TRANSFORMER
- LIGHTNING ARRESTOR
- POWER CABLE
- POWER TRANSFORMER
- PLC EQUIPMENT
- RELAY (NO. & SYMBOL INDICATES FUNCTION)
- 51 OVER CURRENT RELAY
- 51G EARTH FAULT RELAY
- 21 DISTANCE RELAY
- 87 T DIFFERENTIAL RELAY
- A AMMETER
- W WATT METER
- VAR VAR METER
- V VOLT METER
- VARH VAR HOUR METER
- WH WATT HOUR METER
- HRC FUSE
- POWER FACTOR METER

NO.	DATE	REVISION
CLIENT:-		QESCO
CONSULTANT :-		EnMasse
SCOPE OF WORK: 4 NO. 132kV LINE BAYS, 1 NO. 10/13MVA, 132/11.5kV T/F BAY WITH TWIN CONDUCTOR 132 kV BUS BAR.		
NAME	SIG	TITLE :-
PREPARED	MM	132kV NAG
CHECKED	HA	(NEW) GRID STATION
APPROVED	CAL	SINGLE LINE DIAGRAM
SCALE:- N T S		DRAWING NO. EM/DGS/001
		DATE: 17-01-2020